

Guaranteed safety and reliability

Properties of the most common profiles

Code	Type	Weight per metre (kg)	Inertia (mm ⁴)	Elastic modulus (da N/mm ²)	Resin	Flexural strength (da N/mm ²)	Standard length (mm)	Color
H-2000601010	H 200x200x15x10	12,3	43,4.10 ⁶	2.300	iso	25	6.000	yellow/grey
I-2000601010	I 200x100x10x10	6,3	22,9.10 ⁶	2.300	iso	25	6.000	yellow/grey
I-1500601010	I 150x75x8x8	4	7,7.10 ⁶	2.300	iso	25	6.000	yellow/grey
I-1200601010	I 120x60x8x8	3,3	3,7.10 ⁶	2.300	iso	25	6.000	yellow/grey
I-1000601010	I 100x50x8x8	2,7	2,1.10 ⁶	2.300	iso	25	6.000	yellow/grey
Code	Type	Weight per metre (kg)	Inertia (mm ⁴)	Elastic modulus (da N/mm ²)	Resin	Flexural strength (da N/mm ²)	Standard length (mm)	Color
C-3000601010	u 300x100x15x15	12,7	85,6.10 ⁶	2.300	iso	25	6.000	yellow/grey
C-2000601010	u 200x60x10x10	5,5	15,7.10 ⁶	2.300	iso	25	6.000	yellow/grey
C-0900601030	u 90x35x8x8	2,13	1,2.10 ⁵	2.300	iso	35	6.000	white/ yellow/grey
Code	Type	Weight per metre (kg)	Inertia (mm ⁴)	Elastic modulus (da N/mm ²)	Resin	Flexural strength (da N/mm ²)	Standard length (mm)	Color
Q-0900601010	Square: 90x90x8x8	4,70	2,9.10 ⁶	2.300	iso	35	6.000	yellow/grey
R-0820601020	Rectangular: 82x32x4x2,8	1,17	5,2.10 ⁵	2.300	iso	35	6.000	green/grey
R-0850601020	Rectangular: 85x25x3x4	1,17	5,1.10 ⁵	2.300	iso	35	6.000	green/grey
Q-0500601010	Square: 50x50x5x5	1,66	3,1.10 ⁵	2.300	iso	35	6.000	yellow/grey
T-0260601010	Hollow tube: 26x4,5	0,56	3,8.10 ⁴	2.300	iso	35	6.000	green/grey
Code	Type	Weight per metre (kg)	Inertia (mm ⁴)	Elastic modulus (da N/mm ²)	Resin	Flexural strength (da N/mm ²)	Standard length (mm)	Color
L-1000601010	Angle: 100x100x8	2,85	1,4.10 ⁶	2.300	iso	25	6.000	yellow/grey
L-0750601010	Angle: 75x50x8	1,75	0,52.10 ⁶	2.300	iso	25	6.000	yellow/grey
L-0650604020	Angle: 65x60x5	1,11	12,5.10 ⁴	1.800	iso	25	6.000	grey
L-4550604020	Angle: 45x50x5	0,78	8,1.10 ⁴	1.800	iso	25	6.000	grey
L-0350604020	Angle: 35x35x5	0,6	3,9.10 ⁴	1.800	iso	25	6.000	grey
L-0300604020	Angle: 30x30x5	0,5	2,2.10 ⁴	1.800	iso	25	6.000	grey

We reserve the right to modify without notice our production properties and the written data in this document.

Other profiles on request

The values above mentioned are in the longitudinal sense.



ticomm & PROMACO

Gorgonzola (MI) via Parini, 111/E - 20064 ITALY
tel. +39/02/95091.1 - fax +39/02/9514897

Threaded rods & nuts

Diametre	Code epoxy threaded rod length 1425 mm	Code epoxy nuts 25 piece packet	Tighten with spanner diametre	Torque force		Rupture assembly strength (daN)	
				suggested	rupture	traction	shear
12	A-TIRA12RE30	A-DADO12RE30	19	0,8	4	1.250	675
16	A-TIRA16RE30	A-DADO16RE30	24	1,5	8	2.400	1.300
20	A-TIRA20RE30	A-DADO20RE30	30	3	14	3.750	2.000

Other diametres on request

Installation

Cutting:

By using a cutting-off machine, circular saw or jigsaw equipped with carbide or diamond tipped blade. In case of many cuts consider a dust extractor or a water dispersion saw. To protect the cut-off sides and to increase the chemical resistance apply a resin coating.

Drilling:

Carbide tip drill, high rotation speed, slight pressure on the hole.

Accessories

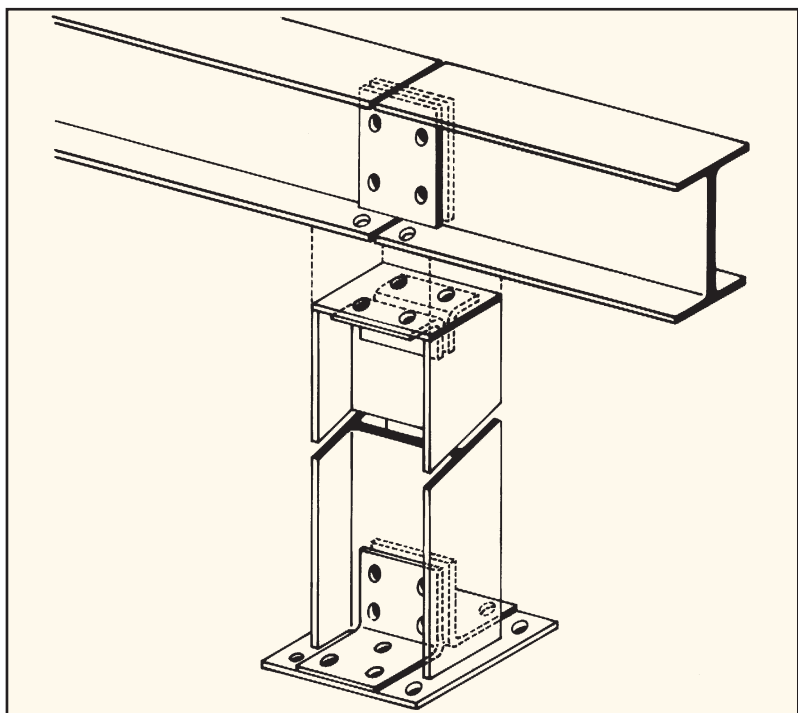
Polyester plate:

Can be used to reinforce structurally weak elements or as connection element to joint structural beams.

ICYPI.2008.0 - Plate dimension 250x250x8 - isophthalic resin color yellow/grey.

Assembling

Assembling can be done with nuts & bolts and eventually glue. Supporting dimensions: beams should be supported with minimum area equal to half the height of the beam.



06 - ENG/2006

We reserve the right to modify without notice our production properties and the written data on this document.